

Bloom Table Light

Tim Rundle | 2018

The Bloom Table Light's super-elliptical form is inspired by the gentle dynamic flow of paper lanterns. Its glorious lit effect is the result of transparency and light. Two contrasting materials – a finely perforated mesh core and frosted blown glass, combine to project a soft focus texture onto the inside of the shade.

Sitting atop a plated stainless steel base, Bloom's distinct character is evident both in its on and off state, creating a versatile table light.



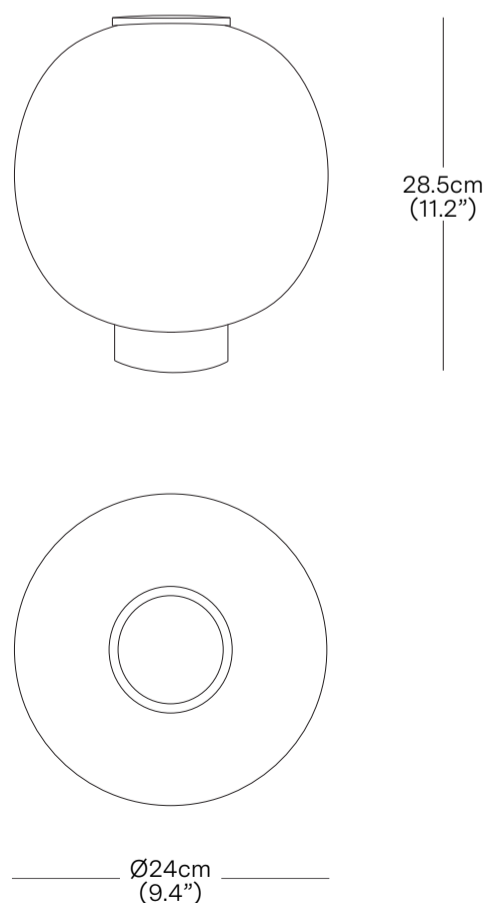
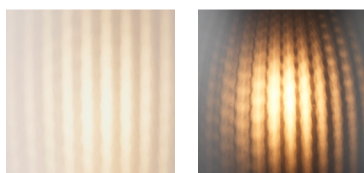
MATERIALS	Glass, Stainless Steel
PRODUCT ENVIRONMENT	Indoor Use Only
CONTRACT USE	Yes
CERTIFICATION	CE, RCM, ETL
WARRANTY	3 years
COUNTRY OF ORIGIN	China

CODE	PRODUCT
BLM003	Bloom Table Light - White
BLM004	Bloom Table Light - Black

LIGHT SOURCE	UK&EUR E27 LED Bulb, USA E26 LED Bulb
VOLTAGE	UK&EUR 220-240V, USA 120V
POWER USAGE	5W (40W equiv)
LUMENS	470lm
COLOUR TEMP	2700k
CRI	90
LIFESPAN	15,000 Hrs
CABLE	280 cm (110.2 in)
DIMMING	UK / EUR / USA Prewired with an in-line dimming switch, and comes standard with a dimmable LED bulb. AU / NZ Prewired with an on off switch.

FINISHES
white/nickel black/black

PRODUCT WEIGHT
1.92 kg (4.2 lbs)



PACKAGED DIMENSIONS		
L x W x H	Cubage	Weight
Box 1		
38 x 36 x 36 cm	0.05 m ³	3.15 kg
15 x 14.2 x 14.2 in	1.8 ft ³	6.9 lbs

COMMODITY CODE 9405423990

* Components drawn in relative scale. Refer to CAD files for accurate drawings.