

Tangerine Stool

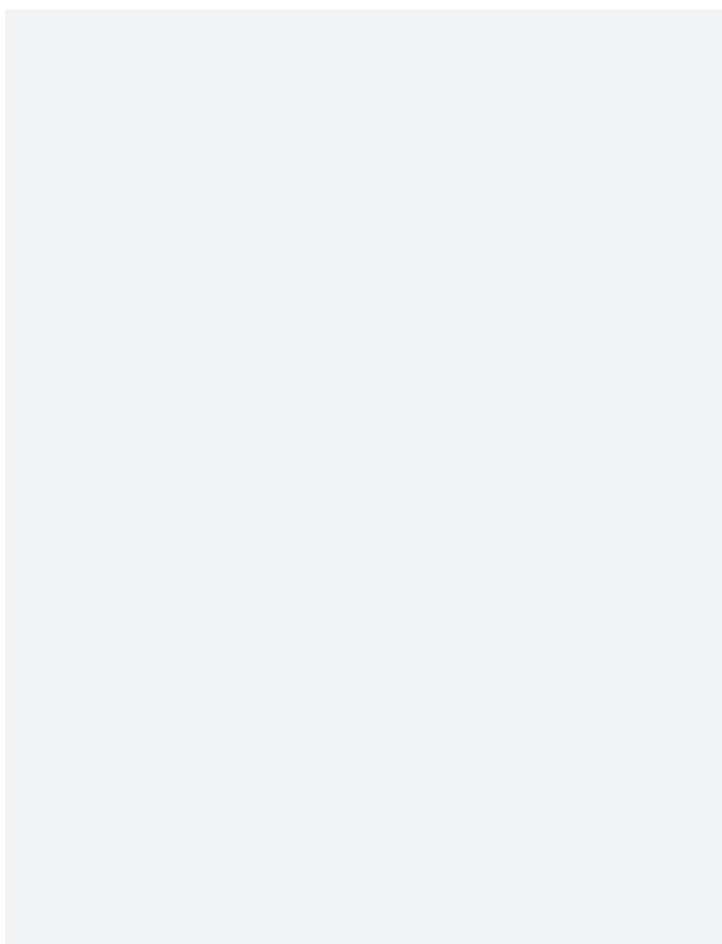


Simon James | 2012

Made from solid oak, the Tangerine Stool is an extension of the popular Tangerine family. Its lightweight appearance is tempered by the robustness of steel footrests, making this a solid and dependable option to compliment most bench tops.

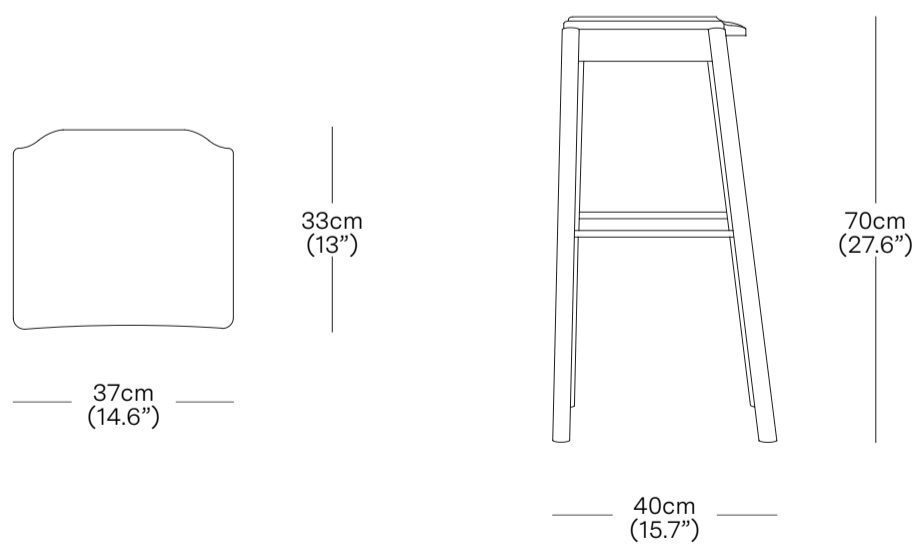
| |
|----------------------------|
| MATERIALS |
| Solid Oak, Oak Veneer |
| PRODUCT ENVIRONMENT |
| Indoor Use Only |
| CONTRACT USE |
| Yes |
| CERTIFICATION |
| FSC Certified Wood |
| WARRANTY |
| 3 years |
| COUNTRY OF ORIGIN |
| Lithuania |

| | |
|-------------|---------------------------|
| CODE | PRODUCT |
| TAN002B | Tangerine Stool - Black |
| TAN002N | Tangerine Stool - Natural |
| TAN002U | Tangerine Stool - Umber |



| | | |
|---|---|---|
| FINISHES | | |
| black | natural | umber |
|  |  |  |

PRODUCT WEIGHT
4.6 kg (10.1 lbs)



| | | |
|----------------------------|----------------------|----------|
| PACKAGED DIMENSIONS | | |
| L x W x H | Cubage | Weight |
| Box 1 | | |
| 43 x 43 x 74 cm | 0.14 m ³ | 5.9 kg |
| 16.9 x 16.9 x 29.1 in | 4.83 ft ³ | 13.0 lbs |

COMMODITY CODE 94036010

* Components drawn in relative scale. Refer to CAD files for accurate drawings.