

Tangerine Stool w/ Back

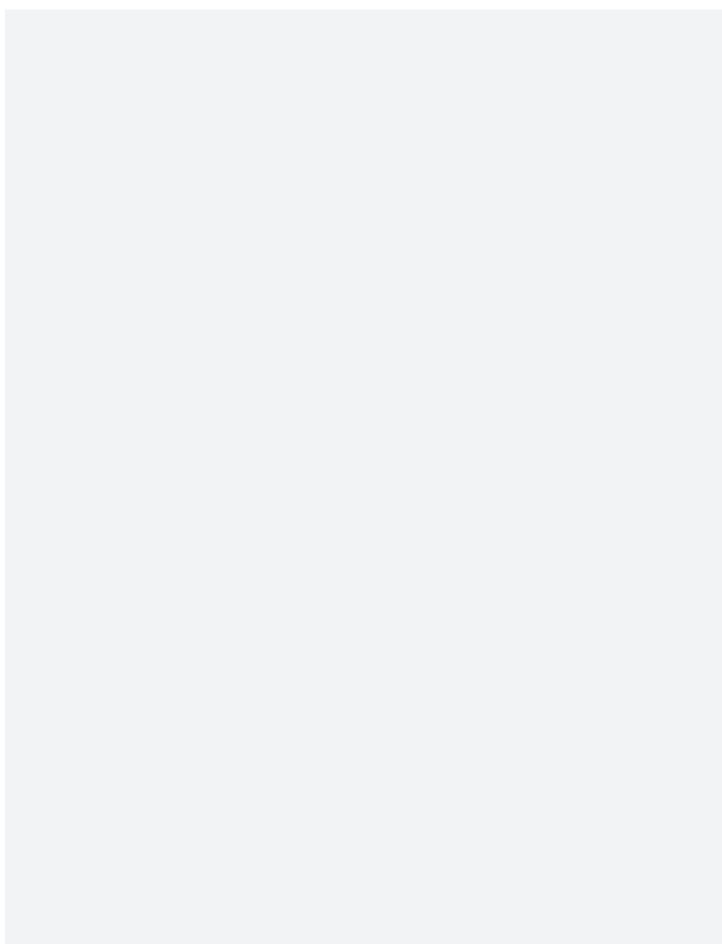


Simon James | 2012

Made from solid oak, the Tangerine Stool is an extension of the popular Tangerine family. Its lightweight appearance is tempered by the robustness of steel footrests, making this a solid and dependable option to compliment most bench tops.

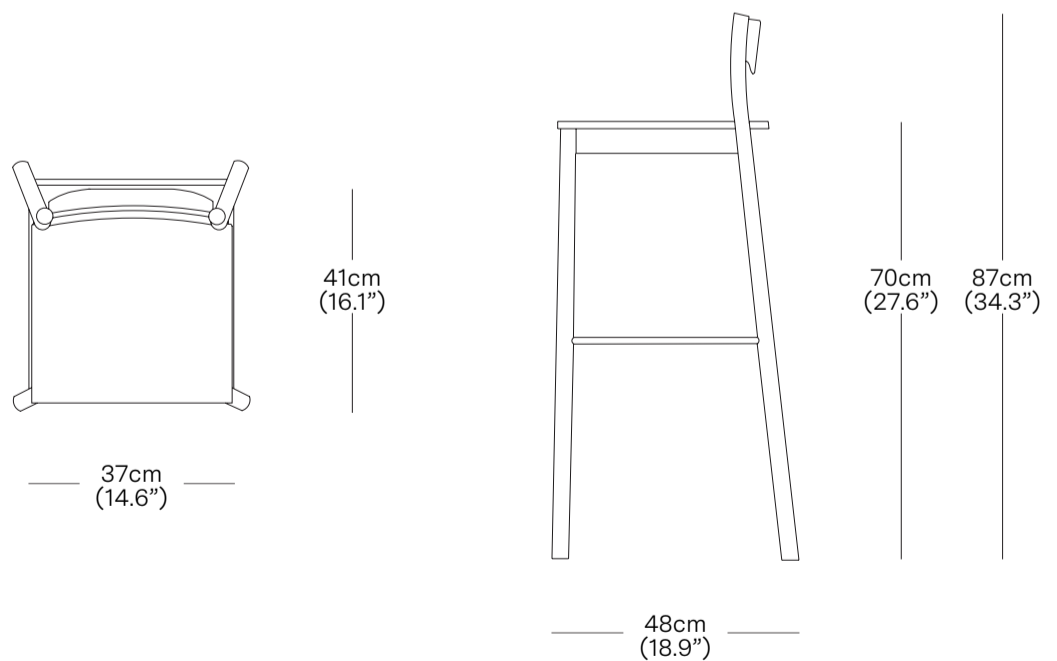
MATERIALS
Solid Oak, Oak Veneer
PRODUCT ENVIRONMENT
Indoor Use Only
CONTRACT USE
Yes
CERTIFICATION
FSC Certified Wood
WARRANTY
3 years
COUNTRY OF ORIGIN
Lithuania

CODE	PRODUCT
TAN003B	Tangerine Stool w/ Back - Black
TAN003N	Tangerine Stool w/ Back - Natural
TAN003U	Tangerine Stool w/ Back - Umber



FINISHES		
black	natural	umber
		

PRODUCT WEIGHT
5.5 kg (12.1 lbs)



PACKAGED DIMENSIONS		
L x W x H	Cubage	Weight
Box 1		
45 x 49 x 91 cm	0.2 m3	6.9 kg
17.7 x 19.3 x 35.8 in	7.09 ft3	15.2 lbs
COMMODITY CODE	94036010	

* Components drawn in relative scale. Refer to CAD files for accurate drawings.